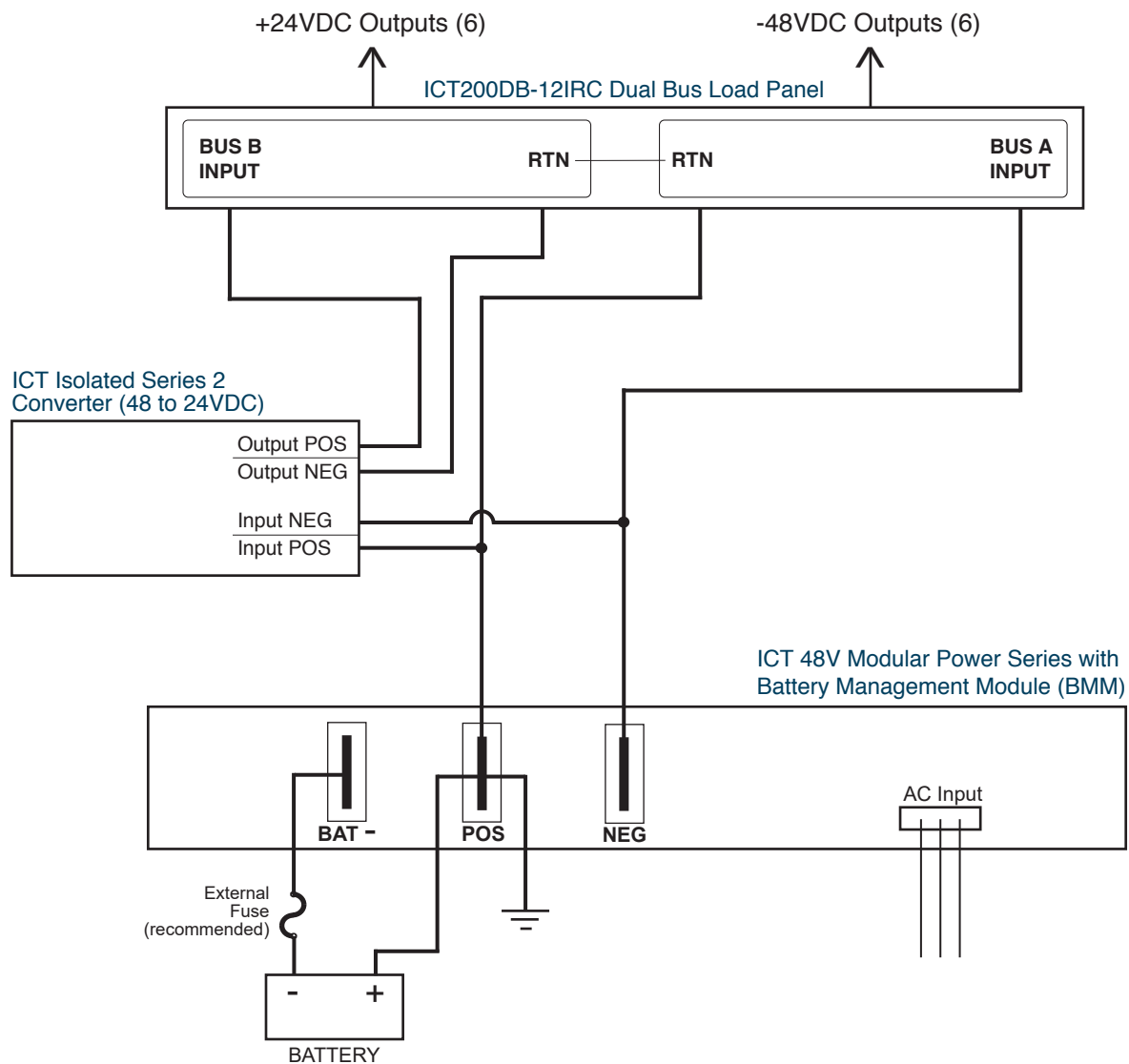




SUPPORTING POSITIVE & NEGATIVE DC VOLTAGES USING ICT DUAL BUS LOAD PANELS

ICT DC power solutions allow the use of POS and NEG voltages concurrently

Certain site installations sometimes require the use of both positive and negative DC voltages to support the application. ICT provides a solution that allows this to be accomplished by using the ICT Distribution Series 3 dual bus panel and Isolated Series 2 DC-DC converters. The example shown below illustrates a negative 48 volt ICT Modular Power Series hot swappable DC Power System with positive ground, using an ICT Isolated Series 2 converter to provide a positive 24 volt DC output on Bus B of the Distribution Series 3 load panel.



Caution must be used when designing the power system to ensure all load current ratings are suitable and supported by the DC power system components.

