



ISOLATED SERIES

Fully Isolated DC-DC Converters

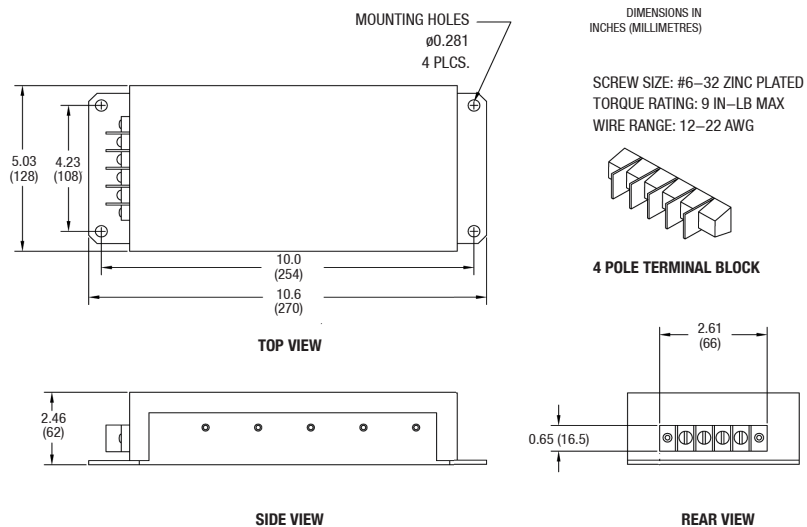


The ICT Isolated Series provides a wide operating input voltage range of 50 to 100 volts DC with a regulated 13.8 volt DC output. It will to operate from a negative or positive ground. Extra input filtering and spike detection are standard and essential for rugged applications. The input voltage range is specifically well suited to powering in-cab locomotive radios and other 12 volt electronics. Conformal coating provides moisture and vibration resistance. A rugged terminal block ensures strong positive wiring connections. Years of reliable performance in the field have shown the Isolated Series to be a proven, durable DC-DC converter.

Specifications

	Input Voltage Range	Output Voltage	Output Current (Cont.)	Output Current (Peak)	Current Limiting	Line Regulation	Load Regulation	Output Ripple (Max)	Efficiency (Typical)	Fuse	Warranty
ICT50100-20AIW	50-100 VDC	13.8 VDC +/- 150 mV	17.0 Amps	20.0 Amps	20.5 Amps +/- 5%	0.50%	0.75%	40 mV RMS	85%	20 Amp	2 Years

Outline Drawing



For more isolated converter models see the ICT Isolated Series 2 at www.ict-power.com.

