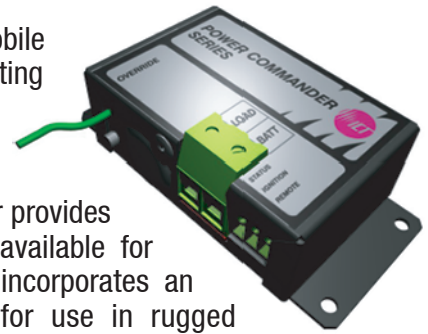




POWER COMMANDER

Battery Protection Module

The ICT Power Commander is an under voltage protection device intended for mobile applications. This device protects the vehicle battery from over-discharge by shutting off the load, using a user defined time delay, once the vehicle ignition is turned off, or when the battery is discharged below a selectable cut-off voltage. The time that the connected load will be allowed to run after the ignition is turned off is selectable between 5 seconds and infinity using a DIP switch. An internal buzzer provides an audible warning of events (can be disabled), while a warning output is available for notification to external devices that power will be shut down. This product incorporates an aluminum chassis and heavy duty connector which have been designed for use in rugged environments.



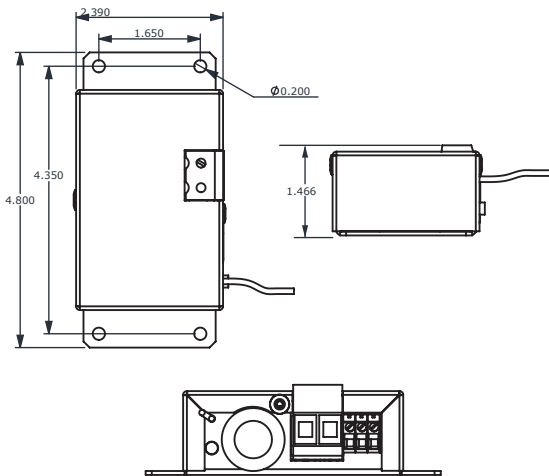
Features

- ▶ Adjustable time delay
- ▶ Over-ride switch (with remote contact)
- ▶ Adjustable under/over voltage lockout
- ▶ Internal warning buzzer
- ▶ Reverse polarity protection
- ▶ Aluminum case

Benefits

- ▶ Set shutdown delay after ignition turns off
- ▶ Continue to operate critical loads in emergency situations
- ▶ Allows you to manage your battery
- ▶ Provides audible alarm of low battery level
- ▶ Will not be damaged if reverse connected
- ▶ Durable - will not rust or corrode

Dimensions



Specifications

	ICT12-30PC	ICT24-30PC
Nominal Input Voltage	13.80 Vdc	27.60 Vdc
Maximum Load Current	30 Amps	30 Amps
Standby Current	8 mA	6 mA
Operating Current	95 mA	60 mA
Adjustable Time Delay	5 seconds to 10 hours or infinity	5 seconds to 10 hours or infinity
High Voltage Disconnect	18.0 Vdc	34.0 Vdc
Adjustable Low Voltage Disconnect	10.5 – 12.5 Vdc	21.0 – 24.0 Vdc
Low Voltage Disconnect Delay	5 minutes	5 minutes
Override Button Time Delay	15 minutes	15 minutes
Size (L x W x H)	4.8" x 2.5" x 1.5"	4.8" x 2.5" x 1.5"
Weight	0.4 lbs	0.4 lbs